

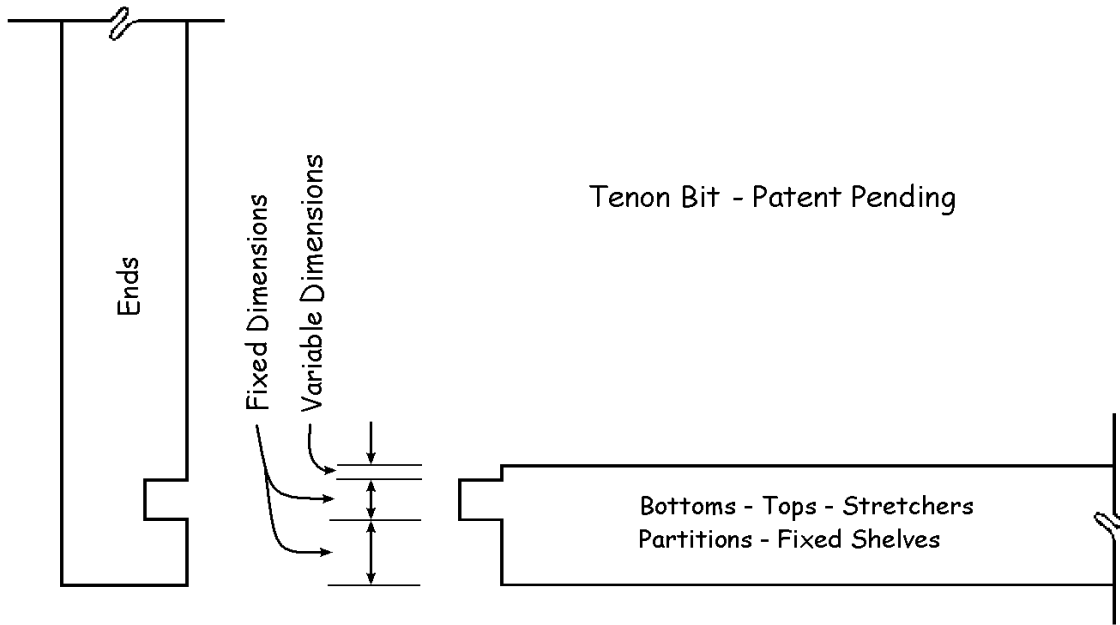
CNC Machining Features:

- q Turn-Key System for CNC Nested Based Cabinet Manufacturing.
- q Designed to Work with Cabinet Vision “Screen-to-Machine Solution.
- q Works with Frameless and Face Frame Cabinet Construction.
- q Cabinet Body Mortise and Tenon Joints are Machined In-The-Nest with Specialized Tooling (Patent Pending).
- q Construction Boring for #6 x 1 5/8 inch Screw Assembly (Switched On/Off).
- q Backs are Sized for Thickness and Set Into Dado Joints.
- q All Joints Handle Material Thickness Variations Automatically.
- q Eliminates the Need to Measure and then Enter Thickness Variations into the Material Catalog.
- q Tenon Shoulders Control the Cabinet Body Interior Opening Sizes (Accuride 3832 Type Drawer Guides Install Without Shimming or Shaving).
- q Bores Only the Required Number of Adjustable Shelf Holes.
- q Guide Boring for Blum (or equal) Tandem, 230, 430 and Metabox - Accuride 3832 (or equal).
- q Boring for Concealed Hinge System Screws (Switched On/Off).
- q Drawer and Roll-Out Tray Bodies with Mortise and Tenon Joints are Machined In-The-Nest with Specialized Tooling (Patent Pending).
- q Drawer and Roll-Out Tray Backs are Notched for Blum Tandem (or equal) Guides.
- q Drawer and Roll-Out Tray Bottoms are Sized for Thickness and Set Into Dado Joints.
- q Detached Mortise and Tenon Toe Boards with 45 and 22 1/2 Degree Miters Machined In-The-Nest. These Toe Boards can be Instantly Adjusted in height to allow for Finished Floor Thickness.
- q Also Available - Attached (notched) Toe Kicks with Mortise and Tenon Joints. These Toe Kicks are Designed to be Skinned After Cabinet Installation.
- q Custom UCS’s Written by Planit Solutions Specifically to Control the TenonCam Operations.
- q Tool Compensation Can Easily be Adjusted in the UCS’s by the User.
- q Reduces Part Identification, Handling, Cutting and Machining Time Over Conventional Methods Used to Create the Same Joinery, by up to 80 Percent (One Man, One Day Instead of Five).
- q Mortise and Tenon Joints Locate the Cabinet Parts - Hole Borings Locate the Hardware and Construction Screws - The TenonCam System Can Reduce Assembly Time by as Much as 50 Percent.

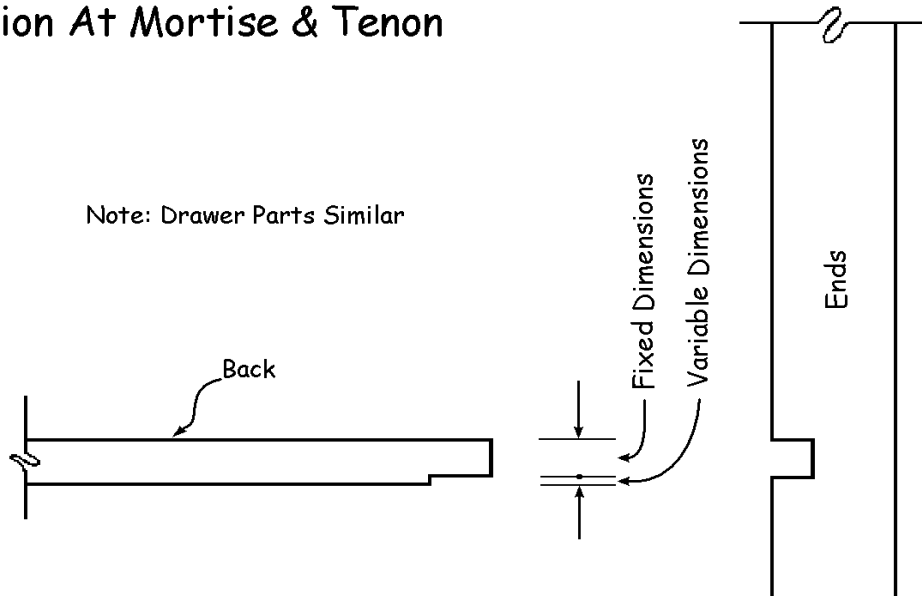
Additional Program Features:

- q Extensive Libraries for Frameless, Face Frame Inset, Face Frame Overlay, Face Frame Lipped and Frame Overlay Cabinet Styles.
- q All Cabinet Design Standards Can Still Be Modified by the User as Required.
- q Standard (Non-CNC) Dado and Butt Joint Construction Methods are Available for our Manual Milling Customers or as a Back Up in the Event the CNC Machine is Down.
- q TenonCam Manual Milling Customers can Fabricate Traditionally or Outsource their Projects, via E-Mail, Seamlessly to any Company using the TenonCam CNC Machining System.
- q Applied Door, Applied Slab and Integral Finished Ends are All Operable From Within the Same Construction Method.
- q Corner 90 and 45 Cabinets are All Operable and Stretch Correctly.
- q Extensive Door Catalog for Manufacturing or Buy Out Applications.
- q Standard (Non-CNC) Dovetail and Doweled Drawer / Roll-Out Tray Construction Methods.
- q Blum Metabox Parts Can be Processed From $\frac{5}{8}$ and $\frac{3}{4}$ inch Material.
- q Enhanced Report Center:
 1. Cutting List of Materials (for each listed below):
 2. Assembly Bill of Materials (for each listed below):
 3. Shipping Lists or Stock Transfers (for each listed below):
 - a. Cabinet Bodies and Face Frames
 - b. Drawer and Roll-Out Tray Bodies
 - c. Detached Toe Boards
 - d. Doors, Drawer Fronts and Door Finished Ends
 - e. Panelized (stile & rail) and Slab Finished Backs and Ends.
 4. Material Requirements:
 - a. Lumber (adjusted for waste).
 - b. Sheet Stock (adjusted for waste).
 - c. Hardware.
 - d. Buy-Out Doors and Drawer Fronts.
 5. Spot Check Reports: Last Chance to Check For, and Correct any Errors or Inconsistencies in the Job - Before Processing.
- q Improved Molding Catalog - Graphic Representations do not Turn Black when Printed, as a Result of too Much Detail.
- q Additional Graphic Layers for Shop Drawings, Face Frame Drawings, Case Body Drawings and the Design Screen.
- q New Catalogs for Corbels, Columns, Pilasters, Split Posts, Feet, Legs, Paneling, Finished Backs and Ends, Appliance Panels, Wood Hoods and Millwork.

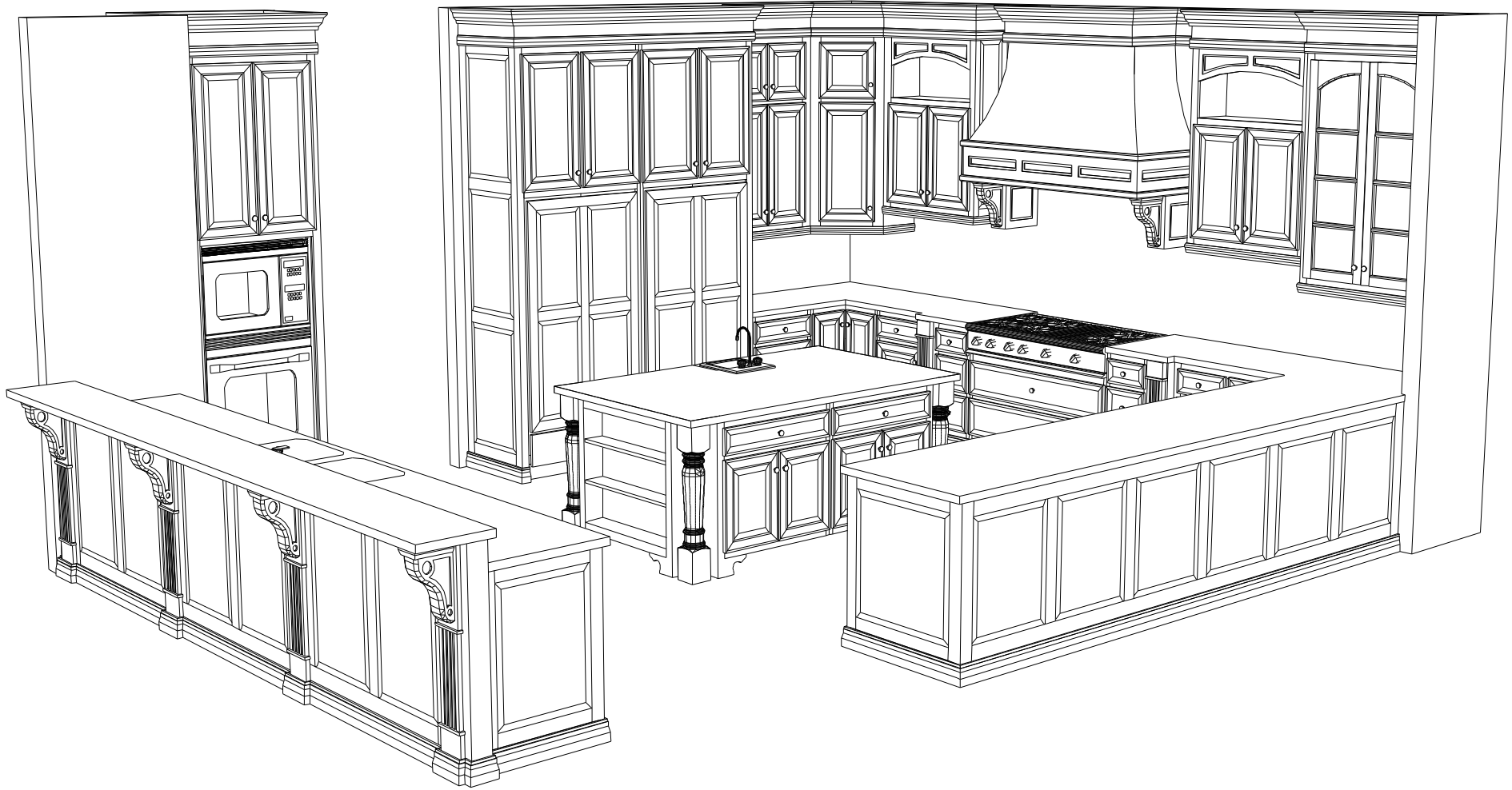
220 Bissell Place • San Jacinto, CA 92582
Phone (951) 487-7680 • Fax (951) 487-7650



Section At Mortise & Tenon



Section At Back Dado



Kitchen Perspective